

## UME SINGLE SCREW EXTRUDERS AND CO-EXTRUDERS

Uygar Makina Single Screw Extruders are produced with European highest technology. The produced parts having CE certification and ISO 9001 standards are used on the extruders. You can reach your production rates with UME Single Screw Extruders from minimum value to 1300 kgs/h. You can produce PVC,PE,HFFR and XLPE from 1 mm to 130 mm.



EXTRUDER	SCREW rpm	MOTOR kW	TORQUE kNm	Output kg/h		
				PVC	HFFR	XLPE
UME 150	80	280	37.0	1300	1000	750
UME 120	90	210	27.5	900	800	530
UME 100	110	155	16.7	550	500	270
UME 80	120	92	10.2	350	300	220
UME 60	150	75	4.6	240	200	140
UME 45	180	35	2.7	125	110	75
UME 30	180	11	1.7	30	25	18



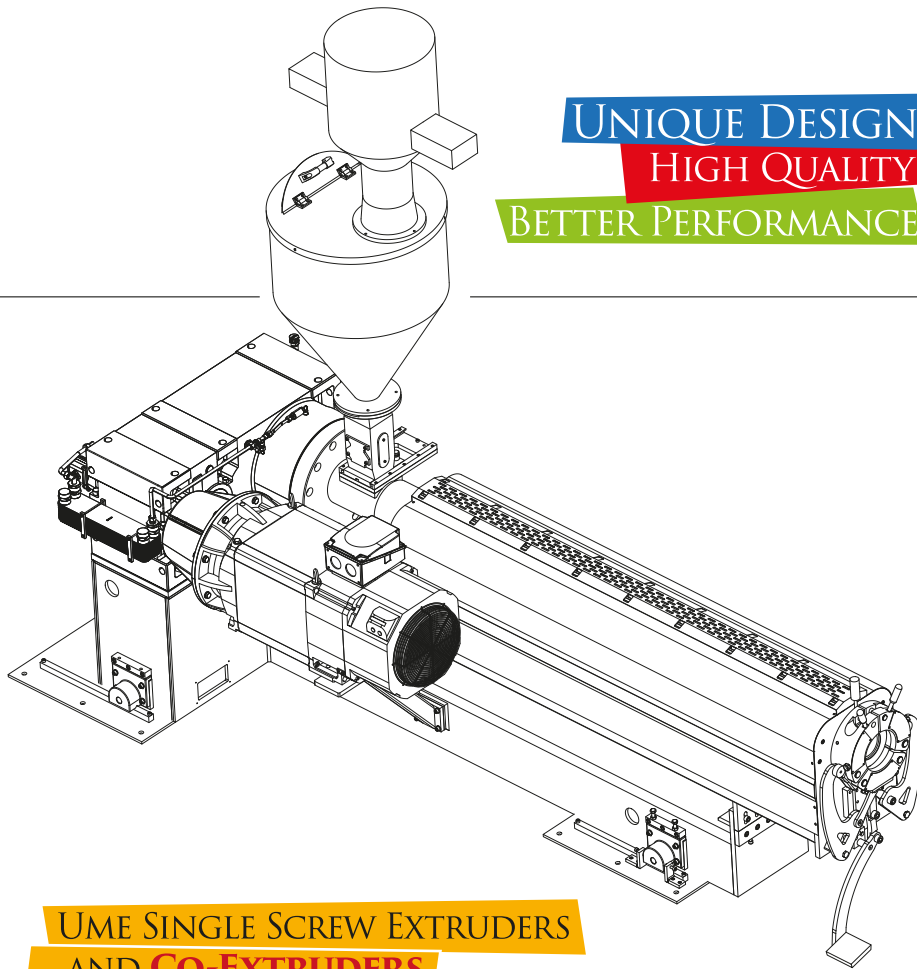
Cable  
Machinery  
Systems

UNIQUE DESIGN  
HIGH QUALITY  
BETTER PERFORMANCE



Cable  
Machinery  
Systems

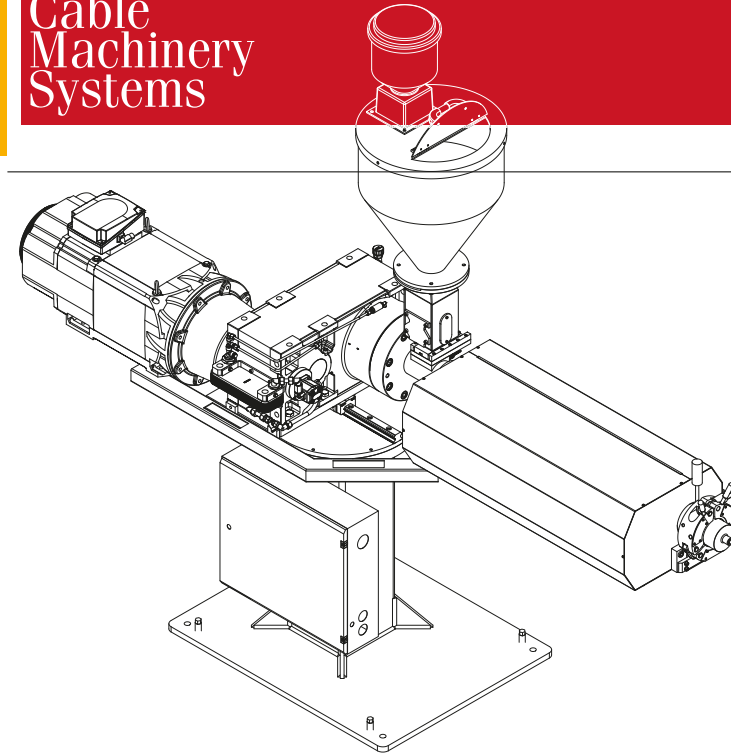
ISO 9001  
BUREAU VERITAS  
Certification  
TR003299-1



## UME SINGLE SCREW EXTRUDERS AND CO-EXTRUDERS

**SENSORS (Optional):** You can control the pressure in the crosshead with the crosshead pressure sensor and assure the raw materials temperature with the melt heat sensor. You can view all heat and pressure values from the control panel.

**SCREWS:** Uygur Makina extruder screws are engineered and formed with a geometry, which provides highest performance and best quality output. The screws are produced from a special steel, which allows a maximum surface hardness and smoothness. This provides a maximum wear resistance and a homogeneous distribution of the heat on the screw surface. We provide options like screw cooling or heating, depending on the raw material used, to obtain the best output. We use barrels and screws, which are bimetal plated and imported from the United States and Europe.



**HEATERS:** Warm-up is very important during the production of plastic raw materials. We use top quality heaters for best quality output on Uygur Makina Single Screw Extruders.

**BARREL:** Uygur Makina Single Screw Extruders are specially designed with multiple zones such as the cylinder on which the screws are placed. Thus, you can apply different heats on different zones.

**GEARBOXES:** Owing to our investment in precision processing machinery and the usage of special bearings within the reducers, they are lasting longer and operate safely even in higher torques.

**MOTOR:** Uygur Makina Extruders use high technology motors, thus you can obtain a high performance and durability (Siemens&ABB)

**LOADING UNIT (Optional):** You can automatically load the raw material into the Uygur Makina Extruder.

**FANS:** You will face problems, if the processed raw material reaches higher temperatures than aimed. Uygur Makina Extruders use fans, which keeps the heat constant, keeping you safe from risks like this.