



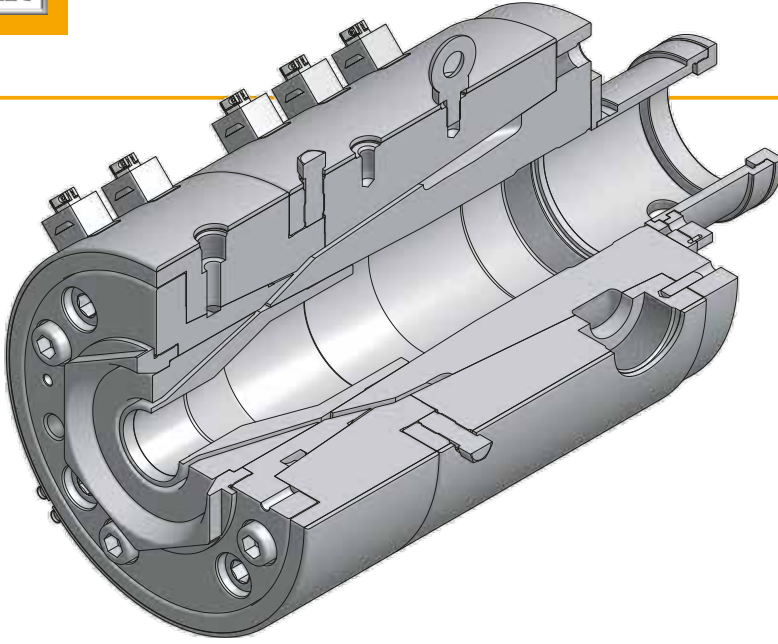
Cable
Crosshead
Systems

UMK130-1ED CROSSHEAD (Auxiliary entry: Vertical)

ISO 9001
BUREAU VERITAS
Certification

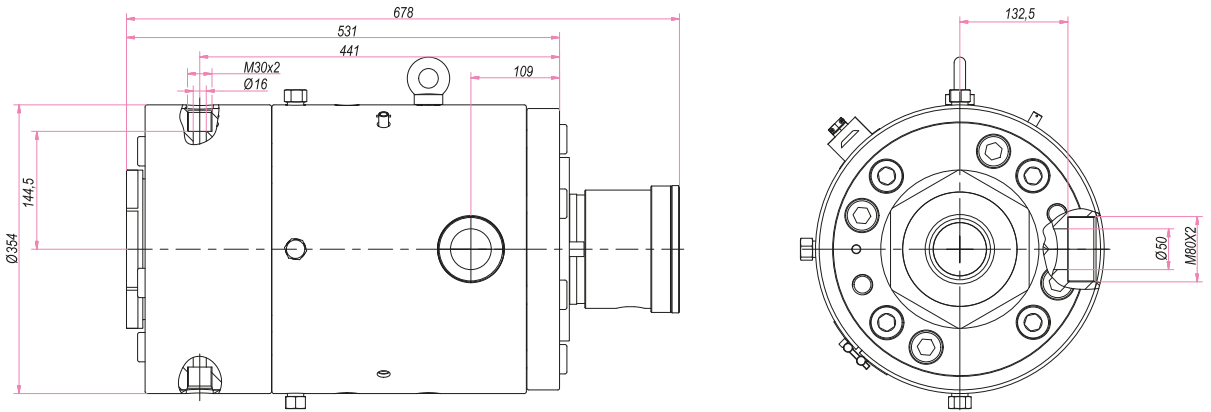


Characteristics



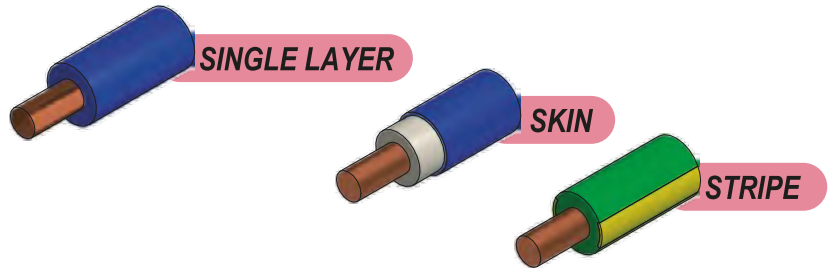
- Main entry port diameters:
Standard $\varnothing 50$ mm, M80x2
- Auxiliary entry port diameters:
Standard $\varnothing 16$ mm - M30x2
- Number of heating zones:
Crosshead 2
Main extruder connection 1
Auxiliary extruder connection 1
- Weight, approximately 350 kg

General Dimensions



Applications

- Main applications:
Single layer
Single layer + striping
Single layer + skin coloration
- Centering system: Manuel



Specifications

- With compression tooling
Maximum inlet diameter 112 mm
Maximum die diameter 130 mm
- With tubing tooling
Maximum die diameter 130 mm

Options

- Striping
- Skin coloration
- Optimized Distributor for particular polymer
- Vacuum connection
- Extruder connection:
With bypass: manual
Temperature gauge and pressure gauge
- Crosshead trolley

UYGAR
MAKİNA SANAYİ
ve
TİCARET LİMİTED
ŞİRKETİ



TEL +90.258.371 66 25 FAX +90.258.371 74 37
WEB www.um.com.tr
ADDRESS Bozburun Mahallesi 7055 Sokak
No: 5 Denizli/Turkey
E-MAIL info@um.com.tr