



Cable  
Crosshead  
Systems

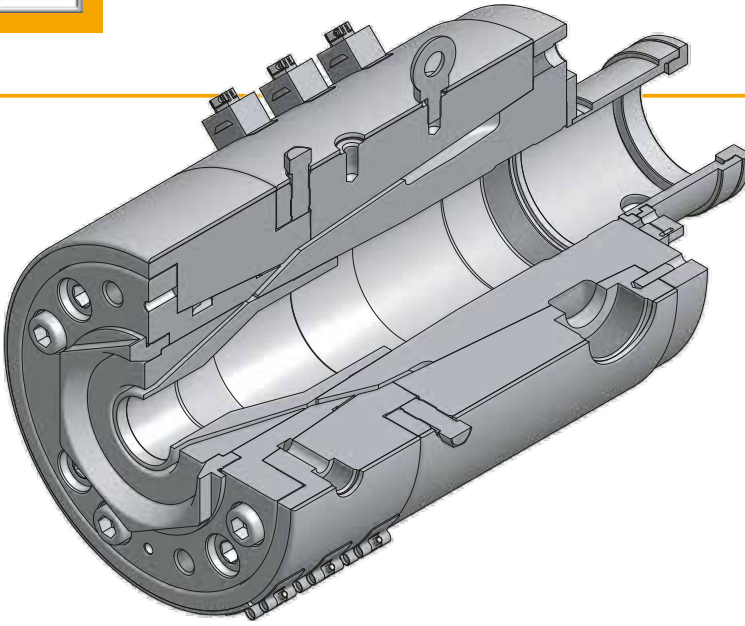
# UMK130-1EY CROSSHEAD

(Auxiliary entry: Horizontal)

ISO 9001  
BUREAU VERITAS  
Certification

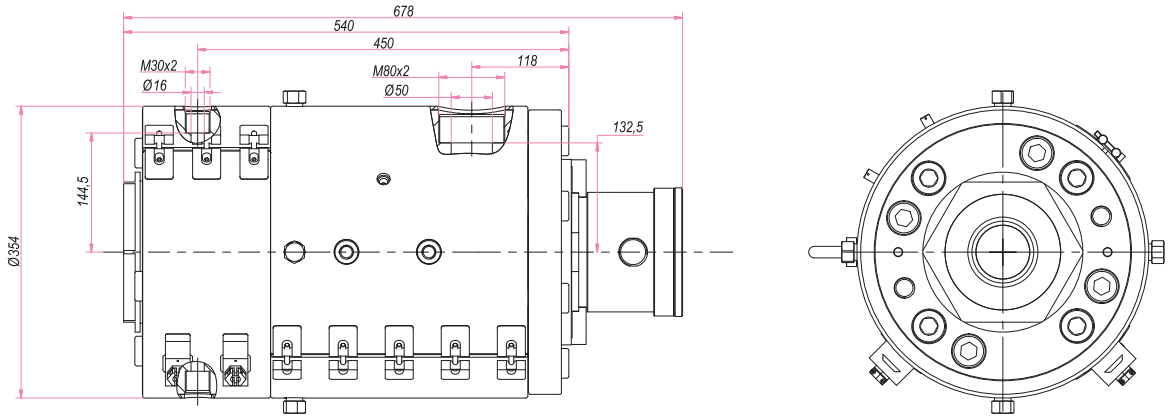


## Characteristics



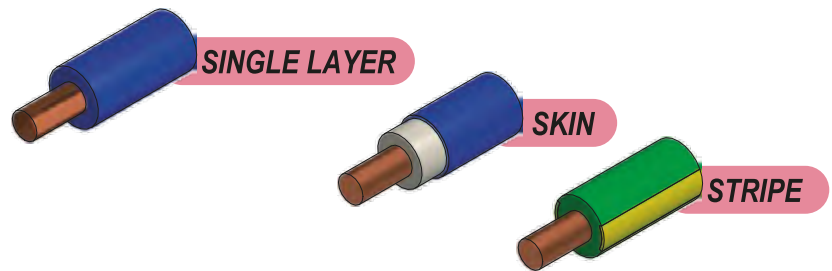
- Main entry port diameters:  
Standard  $\varnothing 50\text{mm}$ , M80x2
- Auxiliary entry port diameters:  
Standard  $\varnothing 16\text{ mm}$  - M30x2
- Number of heating zones:  
Crosshead 2  
Main extruder connection 1  
Auxiliary extruder connection 1
- Weight, approximately 350 kg

## General Dimensions



## Applications

- Main applications:  
Single layer  
Single layer + striping  
Single layer + skin coloration
- Centering system: Manuel



## Specifications

- With compression tooling  
Maximum inlet diameter 112 mm  
Maximum die diameter 130 mm
- With tubing tooling  
Maximum die diameter 130 mm

## Options

- Striping
- Skin coloration
- Optimized Distributor for particular polymer
- Vacuum connection
- Extruder connection:  
With bypass: manual  
Temperature gauge and pressure gauge
- Crosshead trolley

UYGAR  
MAKİNA SANAYİ  
ve  
TİCARET LİMİTED  
ŞİRKETİ



TEL +90.258.371 66 25 FAX +90.258.371 74 37  
WEB [www.um.com.tr](http://www.um.com.tr)  
ADDRESS Bozburun Mahallesi 7055 Sokak  
No: 5 Denizli/Turkey  
E-MAIL [info@um.com.tr](mailto:info@um.com.tr)